

SANITARYWARE COLLECTION TOILETS

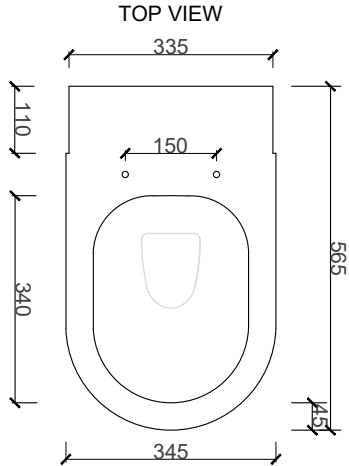
AMOUR WALL HUNG PAN

CODE: 210165

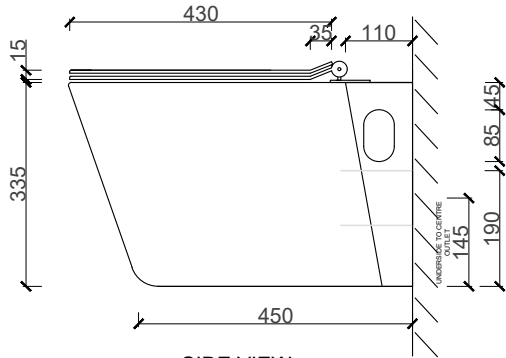
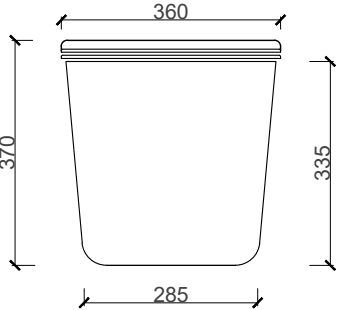
MATERIAL: VITREOUS CHINA

INCLUDES:

- INSPECTION CAP x2
- FIXATION SET
- SOFT CLOSE TOILET SEAT - THERMO ACRYLIC



DIMENSIONS	
LENGTH	565MM
BREADTH	345MM
HEIGHT	370MM



FRONT VIEW

SIDE VIEW

PLEASE NOTE: A 5 - 8MM PER 100MM IS ALLOWED FOR WARPAGE

*ALL MEASUREMENTS ARE IN MILLIMETERS

MacNeil© reserves the right to alter and/or remove designs without prior notice.

B I J I O U

www.bijou.co.za



© 2018 Macneil. All Rights Reserved.

www.macneil.co.za