

TAP COLLECTION KITCHEN MIXERS

MEUSE

CODE: 210748

MATERIAL: DZR BRASS

FINISH: CHROME PLATED

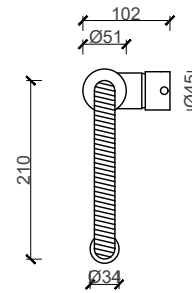
INCLUDES:

500MM BRAIDED CONNECTORS x2
FIXATION NUT & WASHER
AERATOR KEY

HOSE LENGTH: 505MM

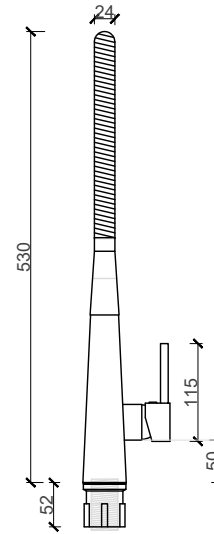


TOP VIEW

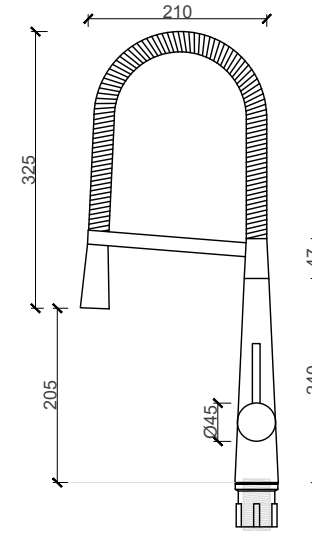


FIXATION HOLE: Ø31MM

TRIM KIT DIMENSIONS	
LENGTH	233MM
BREADTH	102MM
HEIGHT	530MM



FRONT VIEW



SIDE VIEW

B I J I O U

www.bijou.co.za



*ALL MEASUREMENTS ARE IN MILLIMETERS

MacNeil© reserves the right to alter and/or remove designs without prior notice.



© 2018 Macneil. All Rights Reserved.

www.macneil.co.za