

TAP COLLECTION KITCHEN MIXERS

CHER

CODE: 210750

MATERIAL: DZR BRASS

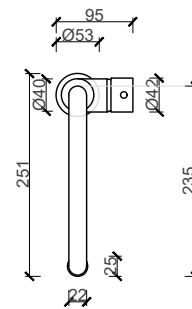
FINISH: MATT BLACK

INCLUDES:

- 500MM BRAIDED CONNECTORS x2
- FIXATION NUT & WASHER
- AERATOR KEY

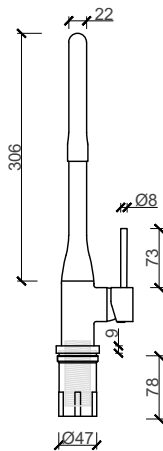


TOP VIEW

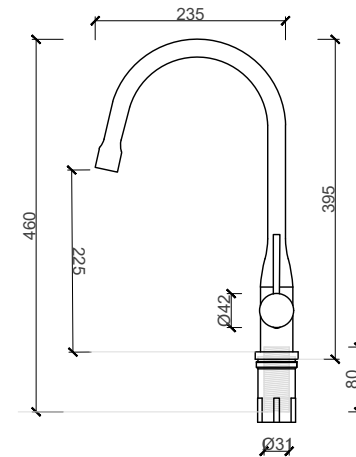


FIXATION HOLE: Ø31MM

TRIM KIT DIMENSIONS	
LENGTH	251MM
BREADTH	95MM
HEIGHT	395MM



FRONT VIEW



SIDE VIEW

B I J I O U

www.bijou.co.za



*ALL MEASUREMENTS ARE IN MILLIMETERS

MacNeil© reserves the right to alter and/or remove designs without prior notice.



© 2018 Macneil. All Rights Reserved.

www.macneil.co.za