

# TAP COLLECTION KITCHEN MIXERS

## SELUNE

**CODE:** 210751

**MATERIAL:** DZR BRASS

**HOSE:** BLACK SILICON

**FINISH:** CHROME PLATED

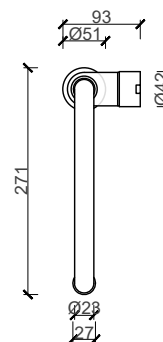
**INCLUDES:**

500MM BRAIDED CONNECTORS x2  
FIXATION NUT

**HOSE LENGTH:** 585MM

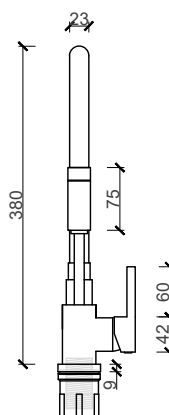


TOP VIEW

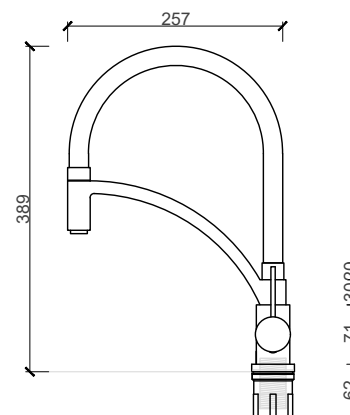


FIXATION HOLE: Ø31MM

TRIM KIT DIMENSIONS	
LENGTH	271MM
BREADTH	93MM
HEIGHT	389MM



FRONT VIEW



SIDE VIEW

B I J I O U

[www.bijou.co.za](http://www.bijou.co.za)



\*ALL MEASUREMENTS ARE IN MILLIMETERS

MacNeil© reserves the right to alter and/or remove designs without prior notice.



© 2018 Macneil. All Rights Reserved.  
[www.macneil.co.za](http://www.macneil.co.za)