

# TAP COLLECTION KITCHEN MIXERS

## Epte

**CODE:** 210752

**MATERIAL:** DZR BRASS

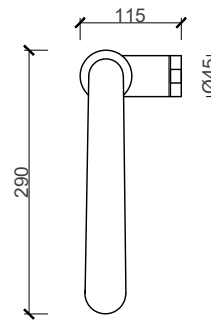
**FINISH:** CHROME PLATED

**INCLUDES:**

500MM BRAIDED CONNECTORS x2  
HOT & COLD INLET PIPES  
COUNTER WEIGHT & FIXATIONS

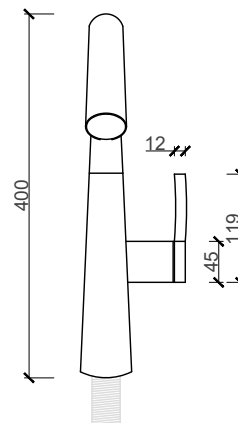


TOP VIEW

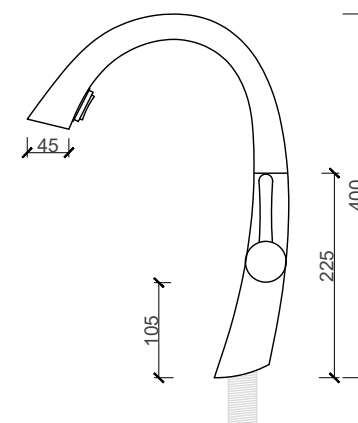


FIXATION HOLE: Ø31MM

TRIM KIT DIMENSIONS	
LENGTH	290MM
BREADTH	115MM
HEIGHT	400MM



FRONT VIEW



SIDE VIEW

B I J I O U

[www.bijou.co.za](http://www.bijou.co.za)



\*ALL MEASUREMENTS ARE IN MILLIMETERS

MacNeil© reserves the right to alter and/or remove designs without prior notice.



© 2018 Macneil. All Rights Reserved.

[www.macneil.co.za](http://www.macneil.co.za)