

# ACCESSORIES COLLECTION MONACO RANGE

## TOLIET BRUSH AND HOLDER

CODE: 210881

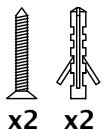
MATERIAL: BRASS

FINISH: CHROME PLATED

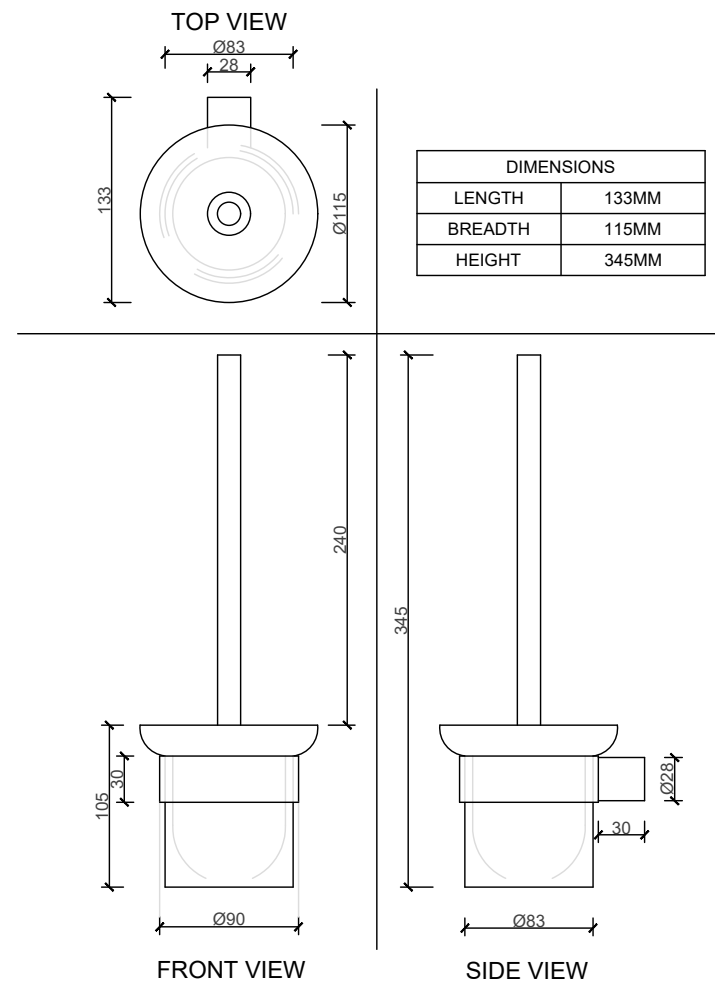
HOLDER

GLASS: FROSTED  
THICKNESS: 4MM

INCLUDES: NAIL-IN ANCHOR



x2 x2



B I J I O U

[www.bijou.co.za](http://www.bijou.co.za)



\*ALL MEASUREMENTS ARE IN MILLIMETERS

MacNeil© reserves the right to alter and/or remove designs without prior notice.

**MACNEIL**

© 2018 Macneil. All Rights Reserved.

[www.macneil.co.za](http://www.macneil.co.za)