

ACCESSORIES COLLECTION CLERMONT RANGE

TUMBLER HOLDER

CODE: 211175

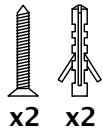
MATERIAL: BRASS

FINISH: MATT BLACK

TUMBLER: FROSTED GLASS

THICKNESS: 4MM

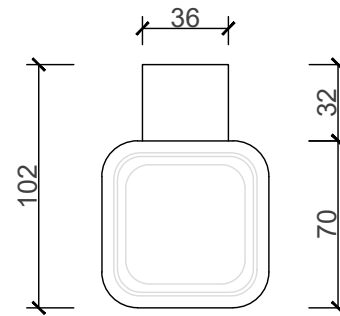
INCLUDES: NAIL-IN ANCHOR



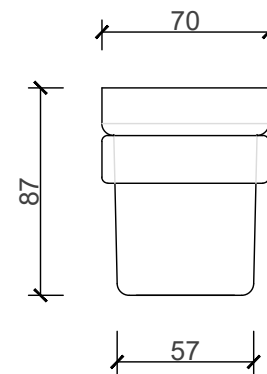
x2 x2



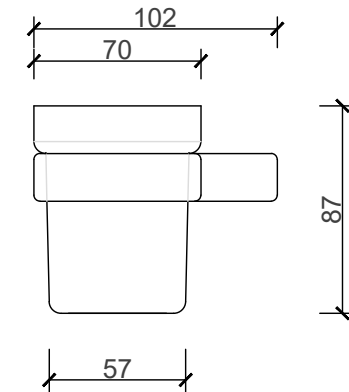
TOP VIEW



DIMENSIONS	
LENGTH	102MM
BREADTH	70MM
HEIGHT	87MM



FRONT VIEW



SIDE VIEW

B I J I O U

www.bijou.co.za



*ALL MEASUREMENTS ARE IN MILLIMETERS

MacNeil© reserves the right to alter and/or remove designs without prior notice.



© 2018 Macneil. All Rights Reserved.

www.macneil.co.za